

EJBT Range of Flameproof EExd IIB T6 Junction Boxes



Application

EJBT Flameproof Junction Boxes are intended for use in areas made potentially hazardous by the presence of flammable liquid, dust, gas or vapour (Zone 1 or Zone 2).

Features

- Full Certificate of Conformity for Group IIA & IIB areas.
- Manufactured in a range of sizes (table 1), for varying number of terminals with different current rating (table 2).
- Protection grade IP65 to EN 60529 by application of an approved non-hardening grease for added resistance to ingress of dust and moisture. IP66 and 67 on request.
- Internal / external earth stud size M6.
- Entry thread forms standard ISO 965.1 metric. Other thread forms supplied on request.



Material

Body and cover	-Copper free aluminium alloy LM25 (BS 1490)
Hardware	-Standard: Steel zinc plated Optional: Stainless steel.



Finish

Standard:	Two coat of Gray oven backed.
Optional:	Two pack epoxy paint, or electrostatic powdercoated

Approvals

CENELEC Standards EN 50014 / 50018
ISSeP Certificate of conformity
96D.103.1241 EExd IIB T6

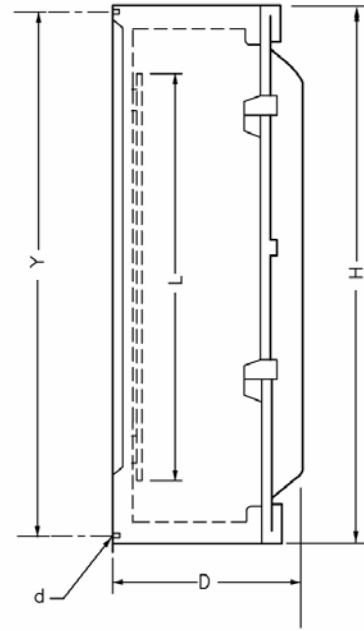
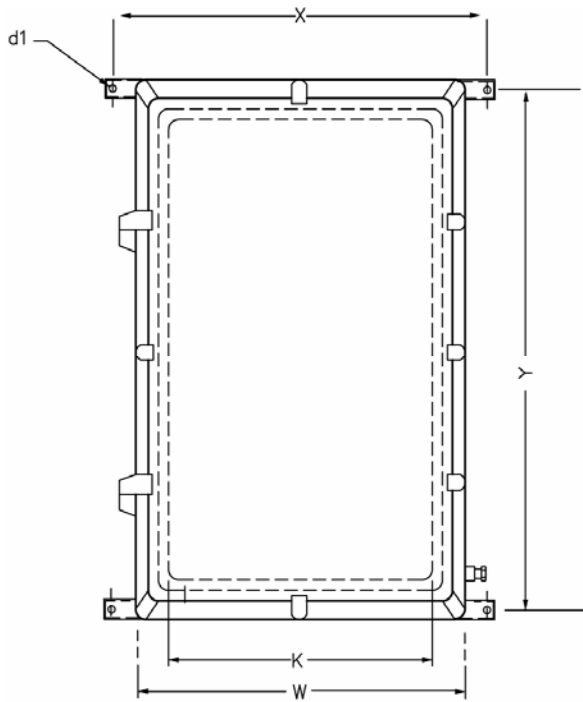


Table 1. EJBT range of enclosures and dimensions (in mm)

Enclosures always available in stock

ENCLOSURE	OVERAL DIMENSIONS			MOUNTING DETAILS			MOUNTING PLATE		WEIGHT KGS	
	CAT NO.	W	H	D	X	Y	d	d1		K
EJBT10	140	220	114	180	198	M6	8 Ø	88	177	4.0
EJBTS1	182	256	187	210	225	M8	10 Ø	120	200	8.0
EJBTS2	226	437	196	272	407	M8	10 Ø	167	375	16.2
EJBT3	260	340	279	302	308	M8	10 Ø	195	275	21.2
EJBT4R	322	427	222	370	361	M10	12 Ø	255	345	26.0
EJBT5A	443	645	327	480	585	M10	12 Ø	350	565	65.0

Enclosures manufactures on request

ENCLOSURE	OVERAL DIMENSIONS			MOUNTING DETAILS			MOUNTING PLATE		WEIGHT KGS	
	CAT NO.	W	H	D	X	Y	d	d1		K
EJBT15	139	220	164	170	198	M6	8 Ø	88	177	4.8
EJBT1	130	440	157	160	420	M8	10 Ø	75	380	10.2
EJBT2	200	400	196	225	370	M8	10 Ø	130	335	14.4
EJBT3R	260	340	222	302	308	M8	10 Ø	195	257	16.8
EJBT4	322	427	282	370	361	M10	12 Ø	255	345	30.4
EJBT5RA	443	645	240	480	585	M10	12 Ø	350	565	56.0

Table 2. Terminal characteristics / No. of Poles

Terminal Current (Amps)	Maximum No. of Terminals Per Enclosure							
	EJBT 10/15	EJBT S1	EJBT S2	EJBT 1	EJBT 2	EJBT 3**	EJBT 4**	EJBT 5**
Up to 27	26	30	110	56	110	80	200	420
Up to 36	24	26	100	50	100	72	192	400
Up to 47	19	20	84	40	84	60	152	330
Up to 65	...	16	68	24	60	48	120	260
Up to 87	...	14	56	28	24	40	50	130
Up to 145	...	10	40	...	16	26	32	90
Up to 220	6	...	4	10	14	48
Up to 265	8	10	38
Up to 415	6	10
Up to 600	5	9

نور محور فارس

NM SWITCHGEAR

P. O. Box : 71955-441, Shiraz, Iran

Tel. +98 711 630 1096, Fax +98 711 630 7725

www.nmswitchgear.com, info@nmswitchgear.com

- Specify cable diameter and thread forms on ordering.
- Specify any optional accessories, if required.
- Design is subject to alteration without notice.