

# GUA Series Flameproof (Type 'd') Junction Boxes



## Application

GUA Series of Junction Boxes are used with either rigid conduit or cable systems using cable glands, in areas made potentially hazardous by the presence of flammable gases, liquids or vapours ( Zone 1 or Zone 2 ). Suitable for use indoors and outdoors.

## Features

- Eight different hub arrangement, in various forms of:  
1 way, 2 way, 3 way or 4 way.
- Fitted with either a wide range of feed through terminals or multi pole terminals block.
- Threaded cover opening with locking screw.



## Material

Body and cover  
-Standard: Copper free aluminium alloy LM25 (BS 1490)  
-Optional: Cast Iron ISO 185:1998

## Finish

Standard: Two coat of Gray oven backed.  
Optional: Two pack epoxy paint, or electrostatic powdercoated.

## Certification and Approvals

IEC 60079-0 : 2004 & IEC 60079-1 : 2003  
ISSEP Certificate No. ISSEP05ATEX064  
Ex II 2 G / Ex d IIC T6

CE  
ATEX

## Protection Grade

IP 54 without gasket, IP 65 ( min ) with gasket. Application of an approved non-hardening grease will give added resistance to the ingress of dust and moisture IP66.

## Earthing

Junction boxes are supplied with a 6mm<sup>2</sup> internal and external earth stud as standard.

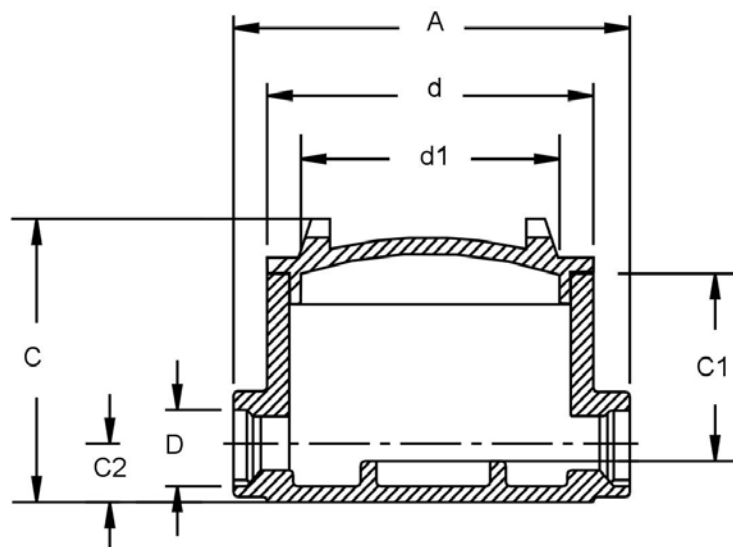
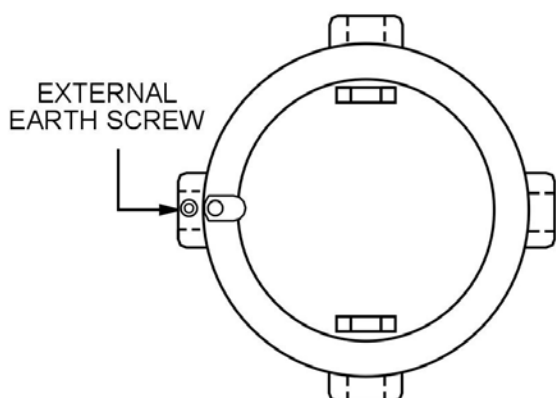
## Entries & thread standards

The GUA series are supplied in ISO 965.1 with 1.5 mm pitch metric thread, NPT ANSI B1.20.1, ISO 228.1(G), DIN 40430 (PG), Combination of these sizes also available.

## Options

- Two coat epoxy paint internal or external.
- Cast iron body and cover
- The limits on maximum number of ISO 185:1998.

TYPE	ENTRIES(D)	DIMENSIONS(mm)						WEIGHT(KG) ALUMINIUM
		A	C	d	C1	d1	C2	
GUAX 59	Up to 4 x 1 1/2" Up to 4 x M40	162	107	142	65	114	30	1.60



TYPE	MAXIMUM NUMBER OF TERMINALS ALLOWED					
	2.5 mm <sup>2</sup>	4 mm <sup>2</sup>	6 mm <sup>2</sup>	10 mm <sup>2</sup>	16 mm <sup>2</sup>	25 mm <sup>2</sup>
GUA ... 6	5	5	4	3	3	2
GUA ... 9	12	12	11	9	7	6

نور محور فارس

**NM SWITCHGEAR**

P. O. Box : 71955-441, Shiraz, Iran

Tel. +98 711 630 1096, Fax +98 711 630 7725

www.nmswitchgear.com, info@nmswitchgear.com

- Specify cable entry and thread forms on ordering.
- Detail of certification and conformity can be provided on request.
- Price and design are subject to alteration without notice.
- All products sold subject to our terms and conditions of business.