

GUFX2

Flameproof (Type 'd')
Junction Boxes



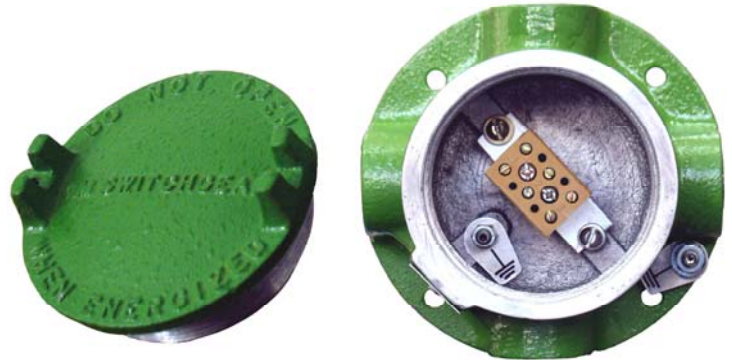
Application

GUFX2 Junction Boxes are used with either rigid conduit or cable systems using cable glands, in areas made potentially hazardous by the presence of flammable gases, liquids or vapours (Zone 1 or Zone 2). Suitable for use indoors and outdoors.



Features

- Four different hub arrangement:
1 way (terminal), 2 way (through or angle),
3 way (Tee) or 4 way (Intersection).
- Integral mounting flange.
- Threaded cover with locking screw.
- Internal block or rail mounted terminals.



Material

Body and Cover - Standard: Copper free aluminium alloy LM25 (BS 1490)
- Optional: Cast iron ISO 185:1998

Finish

Standard: Two coat of Gray oven baked.
Optiona : Two pack epoxy paint, or electrostatic powder coated.

Certification and Approvals

IEC 60079-0 : 2004 & IEC 60079-1 : 2003
ISSeP Certificate No. ISSeP05ATEX064
Ex II 2 G / Ex d IIC T6

CE
ATEX

Protection Grade

IP 54 without gasket IP 65 (min) with gasket. Application of an approved non-hardening grease will give added resistance to the ingress of dust and moisture IP66.

Earthing

Junction boxes are supplied with a 6mm² stainless steel internal and external earth stud as standard.

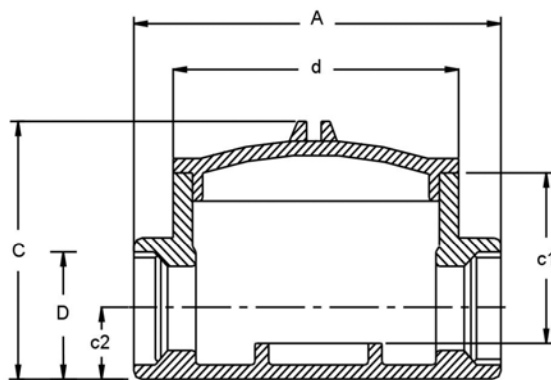
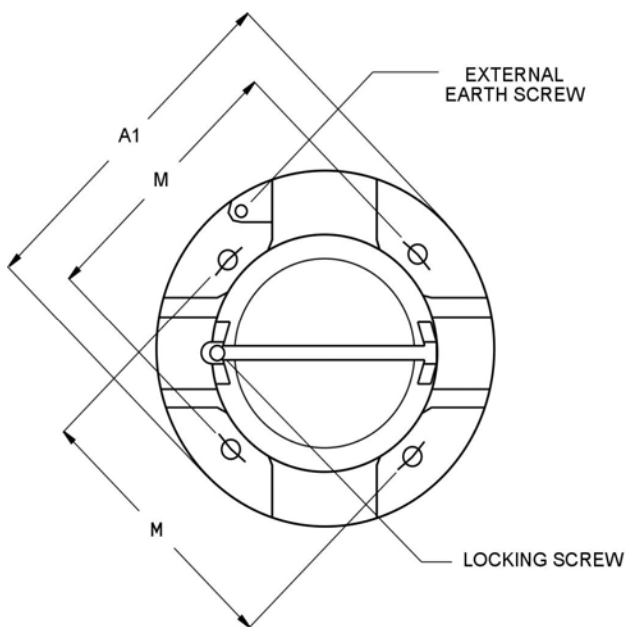
Entries & Thread Standards

The GUFX 2 is supplied with 1, 2, 3 or 4 entries with a choice of M20 & M25 ISO 965.1 with 1.5 mm pitch NPT ANSI BI.20.1, metric threads, 1/2" & 3/4" NPT ANSI BI.20.1, 1/2" & 3/4" ISO 228.1(G), DIN 40403 (PG) Combination of these sizes also available.

Options

- Two coat epoxy paint internal or external.
- Cast iron body and cover ISO 185:1998.

TYPE	ENTRIES(D)	DIMENSIONS(mm)						MOUNTING (M)	WEIGHT(KG) ALUMINIUM
		A	A1	C	d	c1	c2		
GUFX2	4 x 1/2" or 3/4" 4 x M20 or M25	125	130	83	90	54	22	115	0.85



TYPE	MAXIMUM NUMBER OF TERMINALS ALLOWED					
	2.5 mm ²	4 mm ²	6 mm ³	10 mm ²	16 mm ⁴	25 mm ²
	CURRENT 20 A	CURRENT 32 A	CURRENT 48 A	CURRENT 70 A	CURRENT 80 A	CURRENT 115 A
GUFX2	5	5	4	3	3	2

نور محور فارس

NM SWITCHGEAR

P. O. Box : 71955-441, Shiraz, Iran
Tel. +98 711 630 1096, Fax _98 711 630 7725
www.nmswitchgear.com, info@nmswitchgear.com

- Specify cable entry and thread forms on ordering.
- Details of certification and conformity can be provided on request.
- Price and design are subject to alteration without notice.
- All products sold subject to our terms and conditions of business.