

NMA Range of Increased Safety EEx `e` Terminal Boxes



Application

NMA range of increased safety `e` terminal boxes are intended for use in areas made potentially hazardous by the presence of flammable liquids, gases or vapours (Zone 1 or Zone 2) .

For installation at petroleum refineries, chemical and petrochemical plants and other process industries where a similar hazard exists.

Features

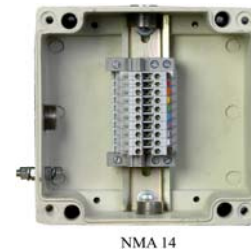
- Full certificate of conformity for increased safety EEx `e` II.
- Manufactured in a series of 8 sizes (Table 1) for varying number of certified EEx `e` terminals to customer specification, (Table 2).
- Oil and petrol resistant neoprene lid gasket for temperatures from - 40 up to +120 deg.C.
- Protection grade IP 66 to EN 60529. IP 67 on request.

Material

Body and cover	-Copper free aluminium alloy LM6 (BS 1490)
Hardware	-Standard: Steel zinc plated Stainless steel on request

Certification and Approvals

IEC 60079-0 : 2004 & IEC 60079-7 : 2001
ISSeP Certificate No. ISSeP05ATEX067 X
EEx II 2 G / Ex e II T6 or T5



CE
ATEX

Finish

Standard : Natural

Optional : Two pack epoxy paint.

: Chromate primed and electrostatic powdercoated.

Earthing

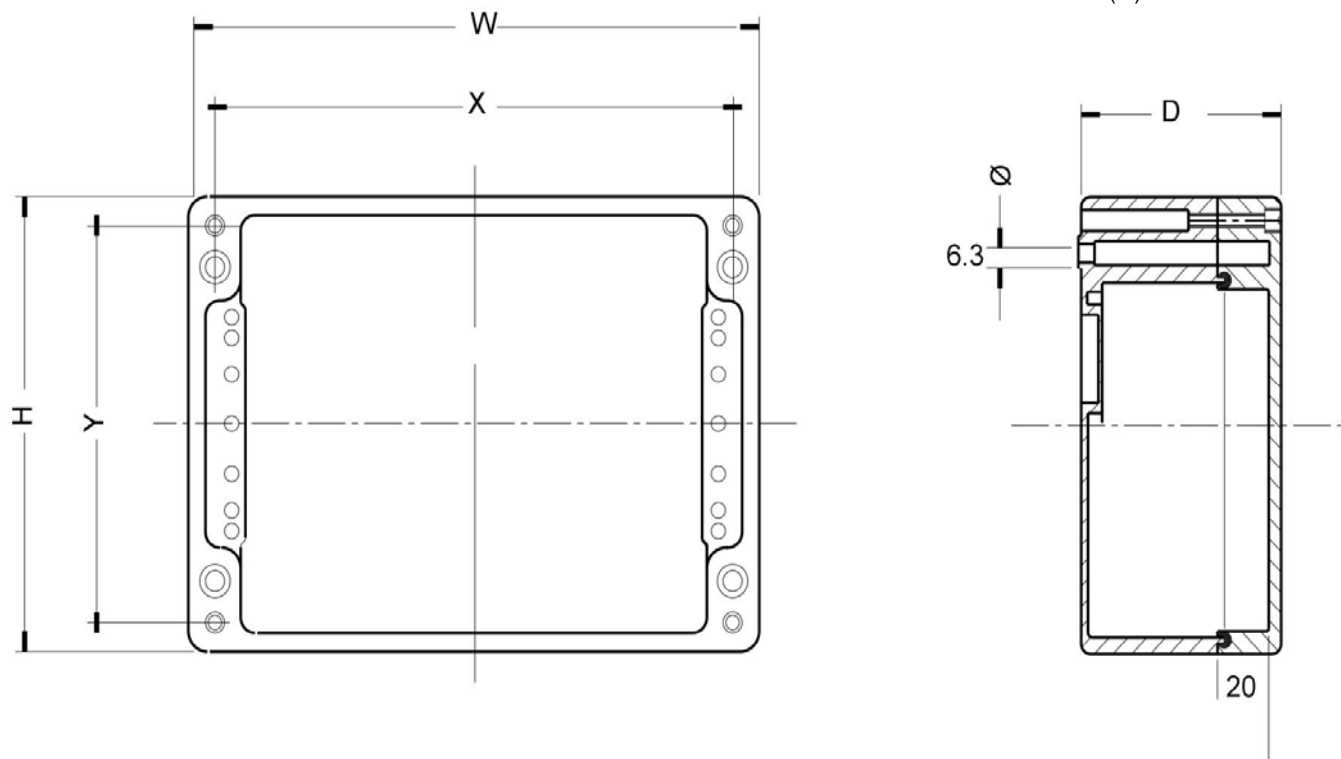
Via internal and external threaded studs size M6.

A wide range of approved bridge bars and earthing combs for earth screen continuity can be provided.

Entries

The box walls can be provided with a variety of entries for cable glands in ISO metric, inch or PG sizes

The limits on maximum number of entries are shown in table1 for ISO metric size (M).



Dimensions are in mm

ENCL. CAT NO.	OVERALL DIMENSIONS					ENTRIES (LONG SIDE)					ENTRIES (SHORT SIDE)				
	W	H	D	X	Y	M 16	M 20	M 25	M 32	M 40	M 16	M 20	M 25	M 32	M 40
NMA11	122	120	80	106	82	6	6	4	2	1	4	4	3	1	1
NMA12	220	120	80	204	82	15	14	12	6	4	4	4	3	1	1
NMA14	160	160	90	140	110	14	8	8	5	3	8	6	6	2	2
NMA15	260	160	90	240	110	27	16	16	11	6	8	6	6	2	2
NMA17	360	160	90	340	110	32	24	24	17	9	8	6	6	2	2
NMA18	230	200	110	180	180	26	18	15	10	6	21	12	12	8	5
NMA20	330	230	110	310	180	38	28	28	18	12	21	12	12	8	5

ENCL. CAT NO.	WEIDMULLER KLIPPON SAK _{mm2}					WEIDMULLER KLIPPON WDU _{mm2}				
	2.5	4	6	10	16	2.5	4	6	10	16
NMA11	1 X 12	1 X 9	1 X 7	1 X 6	1 X 5	1 X 14	1 X 10	1 X 7	1 X 6	-
NMA12	1 X 30	1 X 24	1 X 20	1 X 16	1 X 13	1 X 34	1 X 26	1 X 20	1 X 16	-
NMA14	1 X 18	1 X 16	1 X 11	1 X 10	1 X 8	1 X 22	1 X 16	1 X 11	1 X 10	1 X 8
NMA15	1 X 34	1 X 30	1 X 23	1 X 18	1 X 16	1 X 41	1 X 33	1 X 23	1 X 20	1 X 16
NMA17	1 X 50	1 X 46	1 X 38	1 X 28	1 X 24	1 X 60	1 X 50	1 X 38	1 X 30	1 X 25
NMA18	2 X 24	2 X 22	2 X 18	2 X 14	2 X 12	2 X 28	2 X 24	2 X 18	2 X 14	2 X 12
NMA20	2 X 44	2 X 40	2 X 34	2 X 27	2 X 22	2 X 54	2 X 40	2 X 34	2 X 27	2 X 22

نور محور فارس

NM SWITCHGEAR

P. O. Box : 71955-441, Shiraz, Iran

Tel. +98 711 630 1096, Fax +98 711 630 7725

www.nmswitchgear.com, info@nmswitchgear.com

- Specify cable entry and thread forms on ordering.
- Detail of certification and conformity can be provided on request.
- Price and design are subject to alteration without notice.
- All products sold subject to our terms and conditions of business.