

## Distribution & Lighting Panels



Marking to ATEX 94/9/EC Directive:  $\text{Ex}$  II 2 G Ex d IIB T6 or T5 Gb / II 2 D Ex tb IIIC T80°C or T95°C Db IP6X

$\text{Ex}$  II 2 G Ex d IIC T6 or T5 Gb / II 2 D Ex tb IIIC T80°C or T95°C Db IP6X

Zone: 1, 2, 21, 22 , Gas Group IIB or IIC

Compliance with: EN 60079-0:2009 (IEC 60079-0:2007), EN/IEC 60079-1:2007,  
EN 60079-31:2009, IEC 60079-31:2008

EC Type Examination Certificate: ISSeP 10 ATEX 017X



### FEATURES

- Construction:** Single or multi enclosure panels are built to customer specifications
- Enclosure:** Copper free aluminium alloy suitable for petroleum and marine locations. Cast iron on request.
- IP rating:** Up to IP65 and IP66 to IEC 529. IP67 supplied on request.
- Cable entry:** ISO 965.1 metric as standard. NPT or other threads supplied on request.
- Earthing:** Standard M6 internal and external earth screws. Larger sizes on request.
- Finish:** Electrostatic powder coated or two pack epoxy paint.



30

### OPTIONS

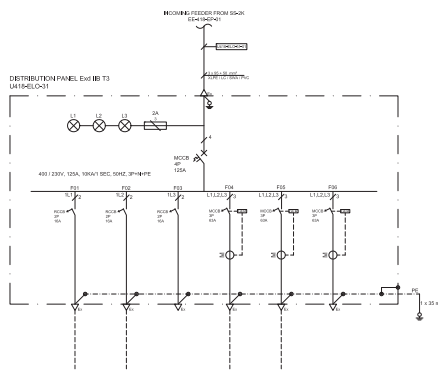
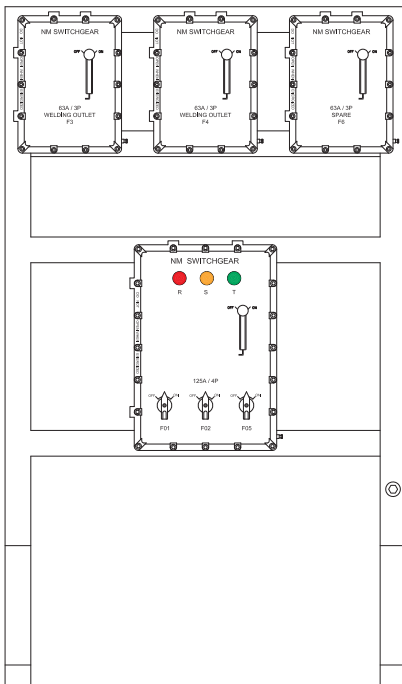
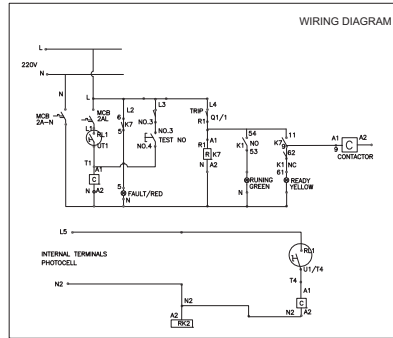
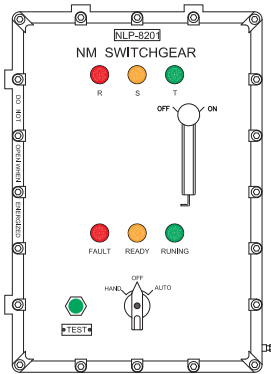
- Stainless steel screws.
- Larger than M6 earth screw.
- Cast iron enclosures.

نور محور فارس  
تولید کننده تجهیزات الکتریکی ضد انفجار  
NM SWITCHGEAR  
Explosion Proof Electrical Supplies



## Distribution and Lighting Panels

Distribution and lighting panels consisting of a single or a number of enclosures are built to customer specifications. Multi enclosure panels can be assembled on a steel pedestal with all internal and interconnecting cables or conduit system, complete and ready for delivery to work site for final installation and operation.



نور محور فارس  
NM SWITCHGEAR